

13 12 11 10 9 8 7 6 5 4 3 2 1

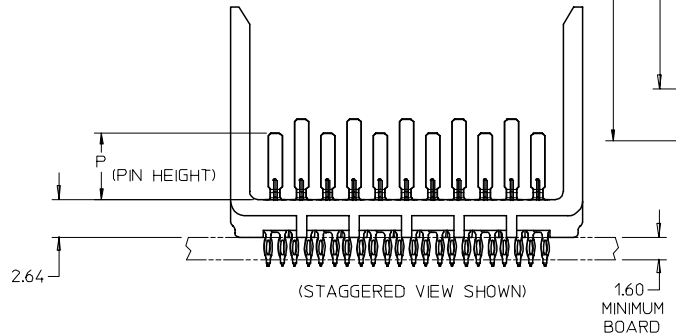
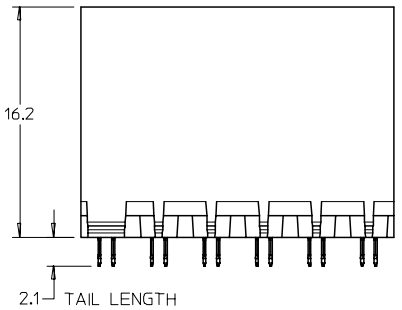
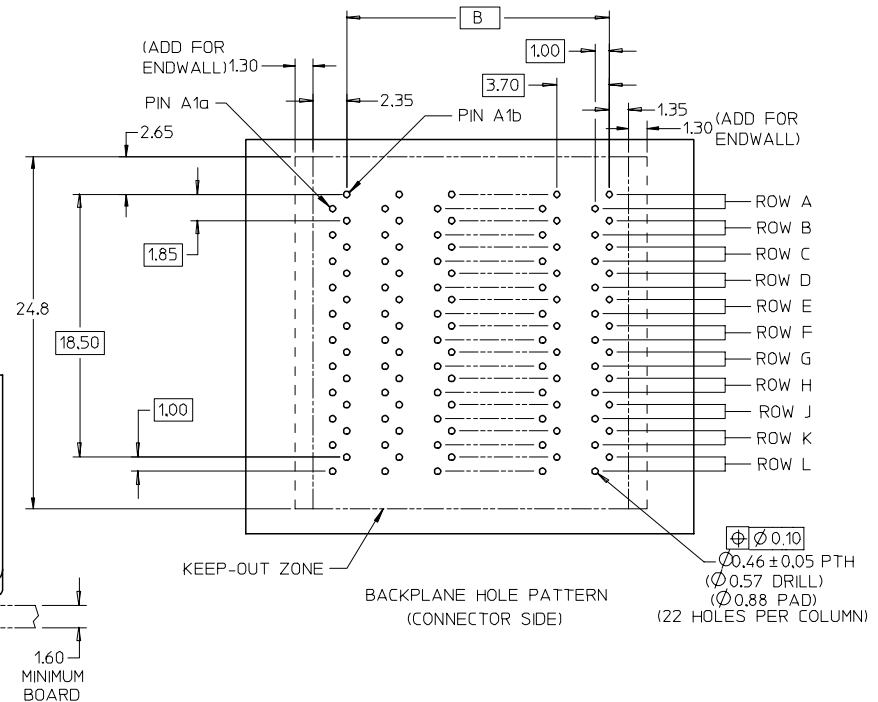
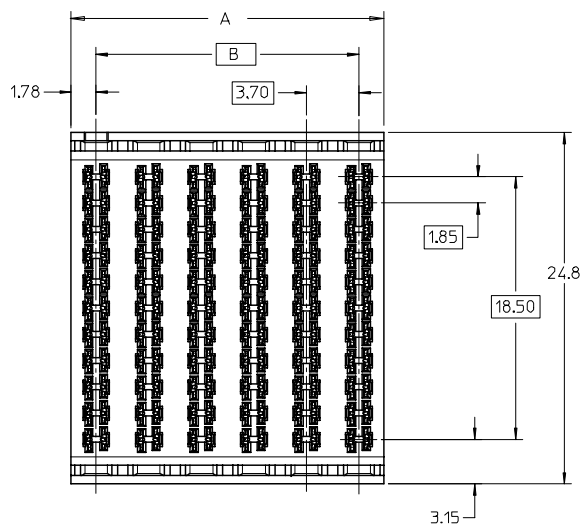
75705-\*\*\*\*

MODULE TYPE -- TAIL PLATING TYPE  
 UNGUIDED -- TIN/LEAD = 0  
 UNGUIDED -- TIN ONLY = 1

# OF COLUMNS  
 5 = 5 COL  
 6 = 6 COL  
 8 = 8 COL  
 1 = 10 COL

PIN LENGTH (P)  
 2 = 3.90  
 3 = 4.70  
 4 = 5.70  
 5 = 4.70 & 5.70 STAGGERED

END WALL OPTIONS  
 0 = OPEN ENDS  
 1 = LEFT END WALL  
 2 = DUAL END WALL  
 3 = RIGHT END WALL



- NOTES:
1. MATERIALS: HOUSING - LIQUID CRYSTAL POLYMER (LCP)  
GLASS-FILLED, UL94V-0  
TERMINALS - HIGH PERFORMANCE COPPER ALLOY
  2. FINISH: 30µIN MIN. GOLD IN CONTACT AREA.  
SELECTIVE TIN/LEAD OR SELECTIVE TIN  
ON PCB TAILS. NICKEL OVERALL.
  3. REFER TO MOLEX PRODUCT SPECIFICATION PS-75710-999  
FOR PERFORMANCE SPECIFICATIONS.
  4. FOR MIXED CONTACT MATING LENGTHS, CONSULT MOLEX  
FOR AVAILABILITY.
  5. THIS PART CONFORMS TO CLASS B REQUIREMENTS OF  
COSMETIC SPEC PS-45499-002.
  6. PACKAGE PER: PK-70873-587.
  7. REFER TO PCB ROUTING GUIDE FOR ANTIPAD  
AND ROUTING RECOMMENDATIONS.

REVISED FC NO: UCP2007-1976 2007/02/08 DRAWN: BPI/SZCZOR 2007/02/08 CHKD: 2007/02/08 APPR: JLAURX 2007/02/09 REVISIONS DESCRIPTION REVISION SYMBOLS ▽=0 ▽=0	GENERAL TOLERANCES (UNLESS SPECIFIED) mm INCH 4 PLACES ± --- ± --- 3 PLACES ± --- ± --- 2 PLACES ± 0.13 ± --- 1 PLACE ± 0.25 ± --- ANGULAR ±1/2°		DIMENSION STYLE MM ONLY DRAWN BY DATE JLAURX 1/28/05 CHECKED BY DATE BPI/SZCZOR 6/02/06 APPROVED BY DATE CBIXLER 6/02/06 MATERIAL NO.		SCALE 4:1 DESIGN UNITS METRIC THIRD ANGLE PROJECTION	
	DRAFT WHERE APPLICABLE MUST REMAIN WITHIN DIMENSIONS				SEE CHART THIS DRAWING CONTAINS INFORMATION THAT IS PROPRIETARY TO MOLEX INCORPORATED AND SHOULD NOT BE USED WITHOUT WRITTEN PERMISSION	
	I-TRAC BACKPLANE HEADER UNGUIDED ASSEMBLY SALES DRAWING				MOLEX INCORPORATED DOCUMENT NO. SD-75705-001 SHEET NO. 1 OF 4	

12 11 10 9 8 7 6 5 4 3 2 1

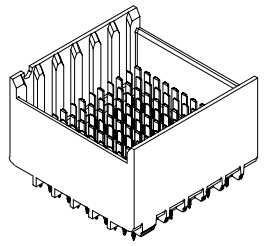
13 12 11 10 9 8 7 6 5 4 3 2 1

J  
I  
H  
G  
F  
E  
D  
C  
B  
A

J  
I  
H  
G  
F  
E  
D  
C  
B  
A

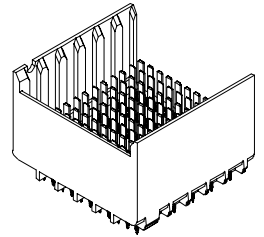
MATERIAL NUMBER	# OF COLUMNS	DIM "A"	DIM "B"
75705-*52*	5	21.0	14.80
75705-*62*	6	24.7	18.50
75705-*82*	8	32.1	25.90
75705-*12*	10	39.5	33.30

DUAL END WALL STYLE



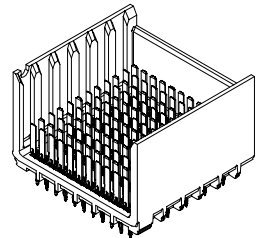
MATERIAL NUMBER	# OF COLUMNS	DIM "A"	DIM "B"
75705-*51*	5	19.7	14.80
75705-*61*	6	23.4	18.50
75705-*81*	8	30.8	25.90
75705-*11*	10	38.2	33.30

LEFT END WALL STYLE



MATERIAL NUMBER	# OF COLUMNS	DIM "A"	DIM "B"
75705-*53*	5	19.7	14.80
75705-*63*	6	23.4	18.50
75705-*83*	8	30.8	25.90
75705-*13*	10	38.2	33.30

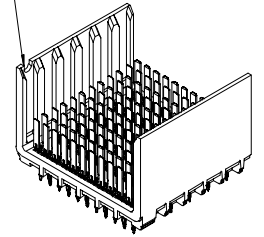
RIGHT END WALL STYLE



MATERIAL NUMBER	# OF COLUMNS	DIM "A"	DIM "B"
75705-*50*	5	18.35	14.80
75705-*60*	6	22.05	18.50
75705-*80*	8	29.45	25.90
75705-*10*	10	36.85	33.30

OPEN STYLE

NOTCH DESIGNATES ROW A

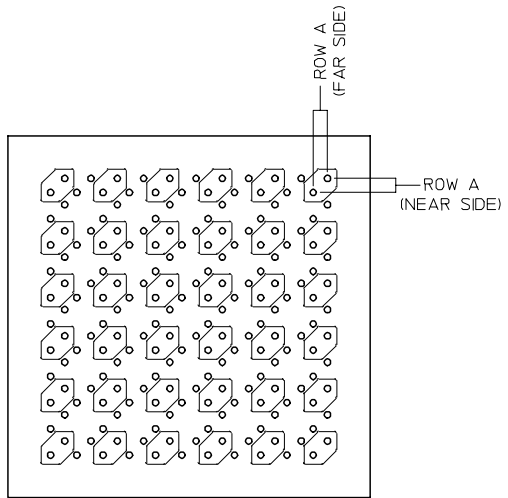


INITIAL RELEASE EC NO: UCP2007-1976 DRAWN: BPISZCZOR 2007/02/08 CHKD: 2007/02/08 APPR: JLAURX 2007/02/09 REVISIONS:	QUALITY SYMBOLS	GENERAL TOLERANCES (UNLESS SPECIFIED)	DIMENSION STYLE	SCALE	DESIGN UNITS	THIRD ANGLE PROJECTION
	▽=0 ▽=0	mm INCH 4 PLACES ± --- ± --- 3 PLACES ± --- ± --- 2 PLACES ± 0.13 ± --- 1 PLACE ± 0.25 ± --- ANGULAR ±1/2°	MM ONLY	4:1	METRIC	☉ THIRD ANGLE PROJECTION
	DESCRIPTION	DRAFT WHERE APPLICABLE MUST REMAIN WITHIN DIMENSIONS	DRAWN BY: JLAURX DATE: 1/28/05 CHECKED BY: BPISZCZOR DATE: 6/02/06 APPROVED BY: CBIXLER DATE: 6/02/06 MATERIAL NO.	TITLE: I-TRAC BACKPLANE HEADER UNGUIDED ASSEMBLY SALES DRAWING MOLEX MOLEX INCORPORATED DOCUMENT NO. SD-75705-001 SHEET NO. 2 OF 4		
	SEE CHART THIS DRAWING CONTAINS INFORMATION THAT IS PROPRIETARY TO MOLEX INCORPORATED AND SHOULD NOT BE USED WITHOUT WRITTEN PERMISSION					

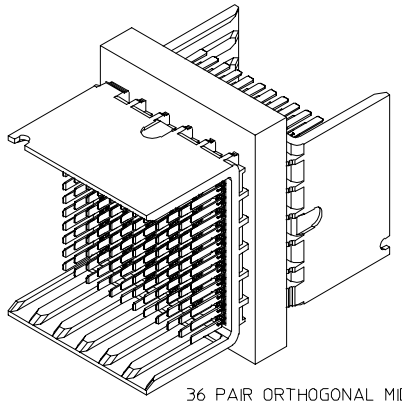
12 11 10 9 8 7 6 5 4 3 2 1

13 12 11 10 9 8 7 6 5 4 3 2 1

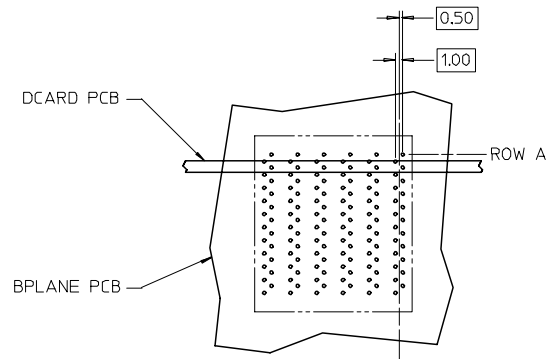
J  
I  
H  
G  
F  
E  
D  
C  
B  
A



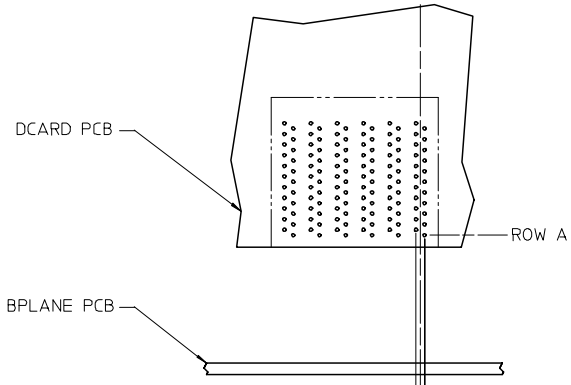
ORTHOGONAL MIDPLANE HOLE PATTERN  
(36 SIGNAL PAIRS SHARE VIAS)



36 PAIR ORTHOGONAL MIDPLANE NODE  
(USES TWO 6 COLUMN I-TRAC HEADERS)

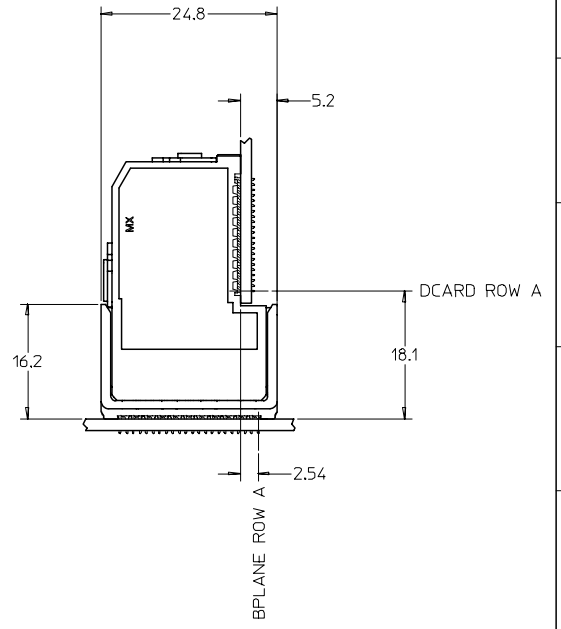


CENTERLINE OF HOLE PATTERN COLUMN



I-TRAC 11 ROW  
BOARD RELATIONSHIPS

SCALE 2:1



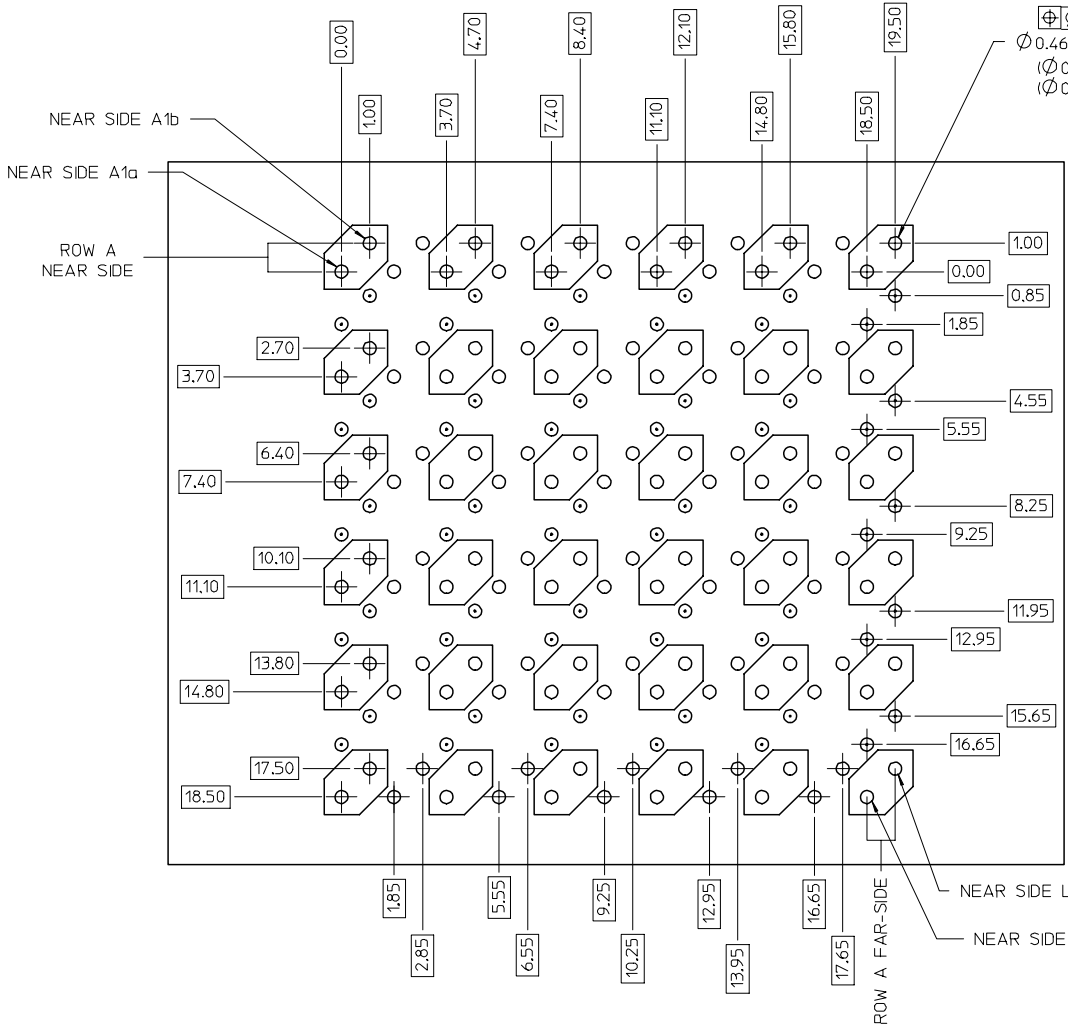
INITIAL RELEASE FC NO: UCP2007-1976 DRAWN: BP1SZCZOR 2007/02/08 CHKD: BP1SZCZOR 2007/02/08 APPR: JLAURX 2007/02/09 REVISIONS DESCRIPTION REVISIONS	QUALITY SYMBOLS	GENERAL TOLERANCES (UNLESS SPECIFIED)	DIMENSION STYLE	SCALE	DESIGN UNITS	THIRD ANGLE PROJECTION	
	$\nabla=0$ $\nabla=0$	mm INCH 4 PLACES ± --- ± --- 3 PLACES ± --- ± --- 2 PLACES ± 0.13 ± --- 1 PLACE ± 0.25 ± --- ANGULAR ±1/2°	MM ONLY	4:1	METRIC	TITLE I-TRAC BACKPLANE HEADER UNGUIDED ASSEMBLY SALES DRAWING	
	DRAWN BY JLAURX DATE 1/28/05	CHECKED BY BP1SZCZOR DATE 6/02/06	APPROVED BY CBIXLER DATE 6/02/06	MATERIAL NO. SEE CHART		DOCUMENT NO. SD-75705-001	SHEET NO. 3 OF 4
	DRAFT WHERE APPLICABLE MUST REMAIN WITHIN DIMENSIONS			THIS DRAWING CONTAINS INFORMATION THAT IS PROPRIETARY TO MOLEX INCORPORATED AND SHOULD NOT BE USED WITHOUT WRITTEN PERMISSION		MOLEX INCORPORATED	

12 11 10 9 8 7 6 5 4 3 2 1

13 12 11 10 9 8 7 6 5 4 3 2 1

J  
I  
H  
G  
F  
E  
D  
C  
B  
A

J  
I  
H  
G  
F  
E  
D  
C  
B  
A



$\varnothing 0.46 \pm 0.05$  PTH  
( $\varnothing 0.57$  DRILL)  
( $\varnothing 0.88$  PAD)

ORTHO PIN MAPPING					
OPTION 90 (NEAR SIDE - FAR SIDE)					
A1b-L6b	A2b-J6b	A3b-G6b	A4b-E6b	A5b-C6b	A6b-A6b
A1a-L6a	A2a-J6a	A3a-G6a	A4a-E6a	A5a-C6a	A6a-A6a
C1b-L5b	C2b-J5b	C3b-G5b	C4b-E5b	C5b-C5b	C6b-A5b
C1a-L5a	C2a-J5a	C3a-G5a	C4a-E5a	C5a-C5a	C6a-A5a
E1b-L4b	E2b-J4b	E3b-G4b	E4b-E4b	E5b-C4b	E6b-A4b
E1a-L4a	E2a-J4a	E3a-G4a	E4a-E4a	E5a-C4a	E6a-A4a
G1b-L3b	G2b-J3b	G3b-G3b	G4b-E3b	G5b-C3b	G6b-A3b
G1a-L3a	G2a-J3a	G3a-G3a	G4a-E3a	G5a-C3a	G6a-A3a
J1b-L2b	J2b-J2b	J3b-G2b	J4b-E2b	J5b-C2b	J6b-A2b
J1a-L2a	J2a-J2a	J3a-G2a	J4a-E2a	J5a-C2a	J6a-A2a
L1b-L1b	L2b-J1b	L3b-G1b	L4b-E1b	L5b-C1b	L6b-A1b
L1a-L1a	L2a-J1a	L3a-G1a	L4a-E1a	L5a-C1a	L6a-A1a

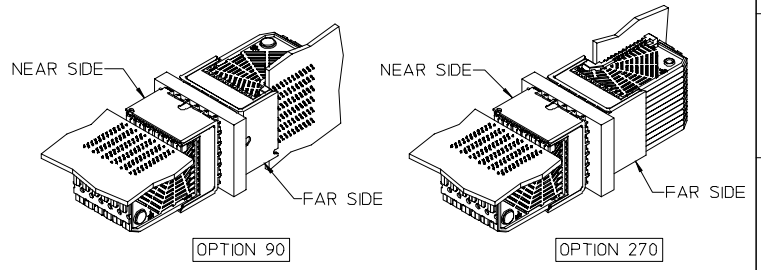
ORTHO PIN MAPPING					
OPTION 270 (NEAR SIDE - FAR SIDE)					
A1b-A1a	A2b-C1a	A3b-E1a	A4b-G1a	A5b-J1a	A6b-L1a
A1a-A1b	A2a-C1b	A3a-E1b	A4a-G1b	A5a-J1b	A6a-L1b
C1b-A2a	C2b-C2a	C3b-E2a	C4b-G2a	C5b-J2a	C6b-L2a
C1a-A2b	C2a-C2b	C3a-E2b	C4a-G2b	C5a-J2b	C6a-L2b
E1b-A3a	E2b-C3a	E3b-E3a	E4b-G3a	E5b-J3a	E6b-L3a
E1a-A3b	E2a-C3b	E3a-E3b	E4a-G3b	E5a-J3b	E6a-L3b
G1b-A4a	G2b-C4a	G3b-E4a	G4b-G4a	G5b-J4a	G6b-L4a
G1a-A4b	G2a-C4b	G3a-E4b	G4a-G4b	G5a-J4b	G6a-L4b
J1b-A5a	J2b-C5a	J3b-E5a	J4b-G5a	J5b-J5a	J6b-L5a
J1a-A5b	J2a-C5b	J3a-E5b	J4a-G5b	J5a-J5b	J6a-L5b
L1b-A6a	L2b-C6a	L3b-E6a	L4b-G6a	L5b-J6a	L6b-L6a
L1a-A6b	L2a-C6b	L3a-E6b	L4a-G6b	L5a-J6b	L6a-L6b

NOTES:



SIGNAL PAIRS (SHARED VIAS)

- NEAR SIDE GROUNDS
- FAR SIDE GROUNDS



ORTHO LAYOUT EC NO: UCP2007-1976 DRAWN BY: ISZCZOR CHKD: BP ISZCZOR APPR: JLAURX DATE: 2007/02/08 DATE: 6/02/06	QUALITY SYMBOLS ▽=0 ▽=0	GENERAL TOLERANCES (UNLESS SPECIFIED)		DIMENSION STYLE MM ONLY		SCALE 4:1	DESIGN UNITS METRIC	THIRD ANGLE PROJECTION			
		4 PLACES ± --- ± ---	3 PLACES ± --- ± ---	2 PLACES ± 0.13 ± ---	1 PLACE ± 0.25 ± ---	ANGULAR ±1/2°	DRAWN BY JLAURX	DATE 1/28/05	TITLE I-TRAC BACKPLANE HEADER UNGUIDED ASSEMBLY SALES DRAWING		
		DRAFT WHERE APPLICABLE MUST REMAIN WITHIN DIMENSIONS					CHECKED BY BP ISZCZOR	DATE 6/02/06	MOLEX INCORPORATED		
		SEE CHART					APPROVED BY CBIXLER	DATE 6/02/06	DOCUMENT NO. SD-75705-001	SHEET NO. 4 OF 4	